



US00D504428S

(12) **United States Design Patent**
Napolitano et al.

(10) **Patent No.:** US D504,428 S

(45) **Date of Patent:** ** Apr. 26, 2005

(54) **VISOR FOR IMAGE DISPLAY SYSTEM**

(75) Inventors: **Erin Napolitano**, Los Angeles, CA (US); **David Wathen**, Los Angeles, CA (US); **Daniel Ashcraft**, Torrance, CA (US)

(73) Assignee: **L-3 Communications Corporation**, New York, NY (US)

(**) Term: **14 Years**

(21) Appl. No.: **29/194,875**

(22) Filed: **Dec. 1, 2003**

(51) **LOC (7) Cl.** **14-02**

(52) **U.S. Cl.** **D14/372**

(58) **Field of Search** D14/372, 432, D14/449; 348/180, 184; 345/8; 351/158

(56) **References Cited**

U.S. PATENT DOCUMENTS

5,003,300	A	*	3/1991	Wells	345/8
5,106,179	A	*	4/1992	Kamaya et al.	351/158
D370,909	S	*	6/1996	Oikawa et al.	D14/372
D375,731	S	*	11/1996	Holmes et al.	D14/372
6,046,712	A	*	4/2000	Beller et al.	345/8
6,342,872	B1	*	1/2002	Potin et al.	345/8
2002/0097197	A1	*	7/2002	Togino et al.	345/8
2003/0071766	A1	*	4/2003	Hartwell et al.	345/8

* cited by examiner

Primary Examiner—Freda S. Nunn

(74) *Attorney, Agent, or Firm*—Tiajolloff & Kelly

(57) **CLAIM**

The ornamental design for a visor for image display system, as shown and described.

DESCRIPTION

FIG. 1 is a perspective view of a visor for image display system showing the new design, the helmet being shown in broken lines for illustrative purposes only and forms no part of the claimed design;

FIG. 2 is a right side elevational view of the visor with helmet of FIG. 1;

FIG. 3 is a front elevational view thereof;

FIG. 4 is a left side elevational view thereof, which is a mirror image of the right side elevational view of FIG. 2;

FIG. 5 is a rear elevational view thereof;

FIG. 6 is a top plan view thereof;

FIG. 7 is a bottom plan view thereof;

FIG. 8 is a perspective view of the visor without the helmet;

FIG. 9 is a right side elevational of the visor of FIG. 8, with it being understood that the left side elevational view thereof is a mirror image of the right side elevational view;

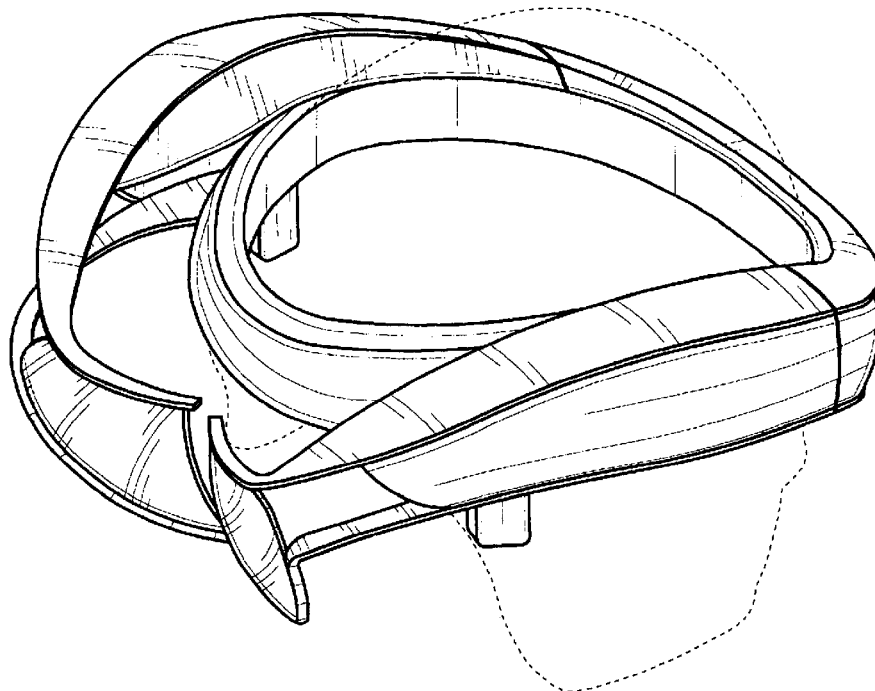
FIG. 10 is a front elevational view of the visor of FIG. 8;

FIG. 11 is a rear elevational view of the visor of FIG. 8;

FIG. 12 is a top plan view of the visor of FIG. 8; and,

FIG. 13 is a bottom plan view of the visor of FIG. 8.

1 Claim, 10 Drawing Sheets



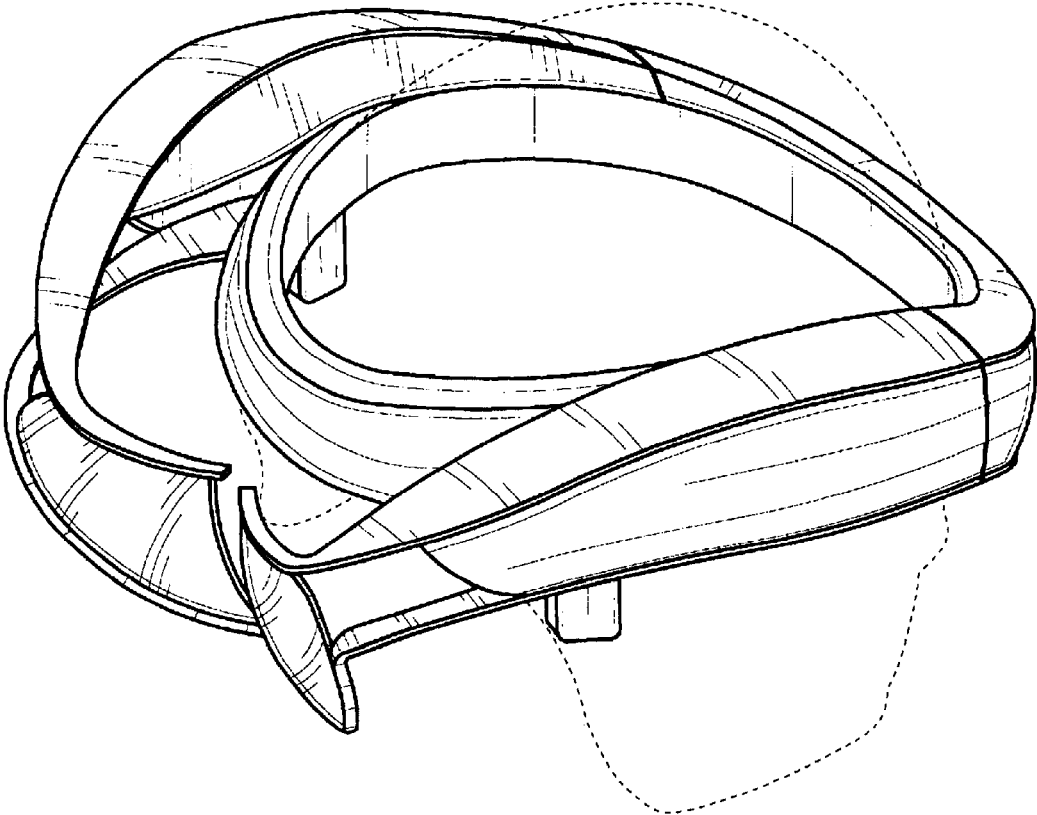


FIG. 1

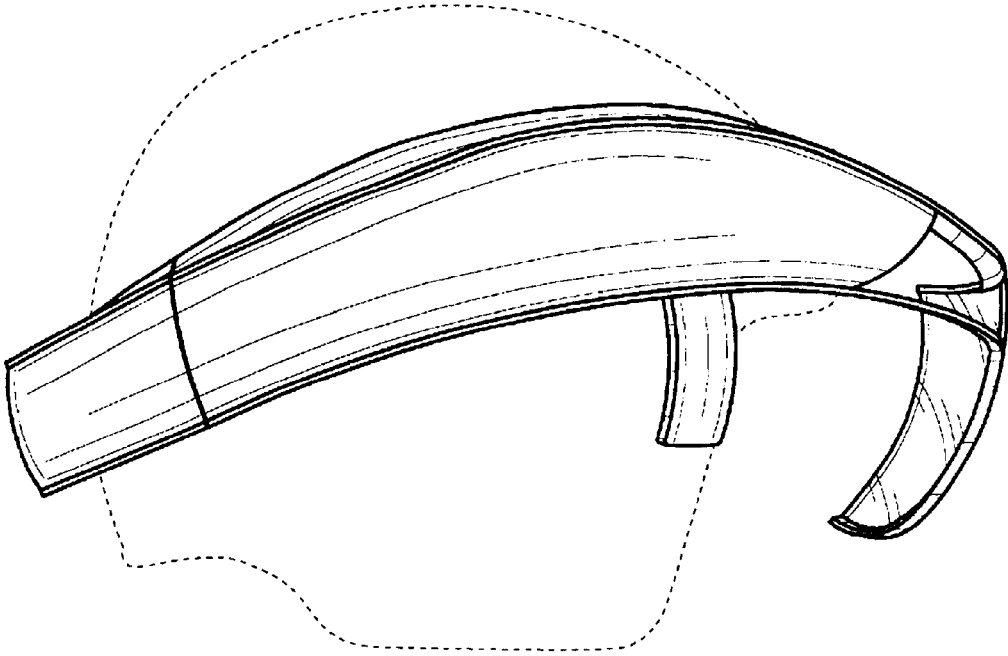


FIG. 2

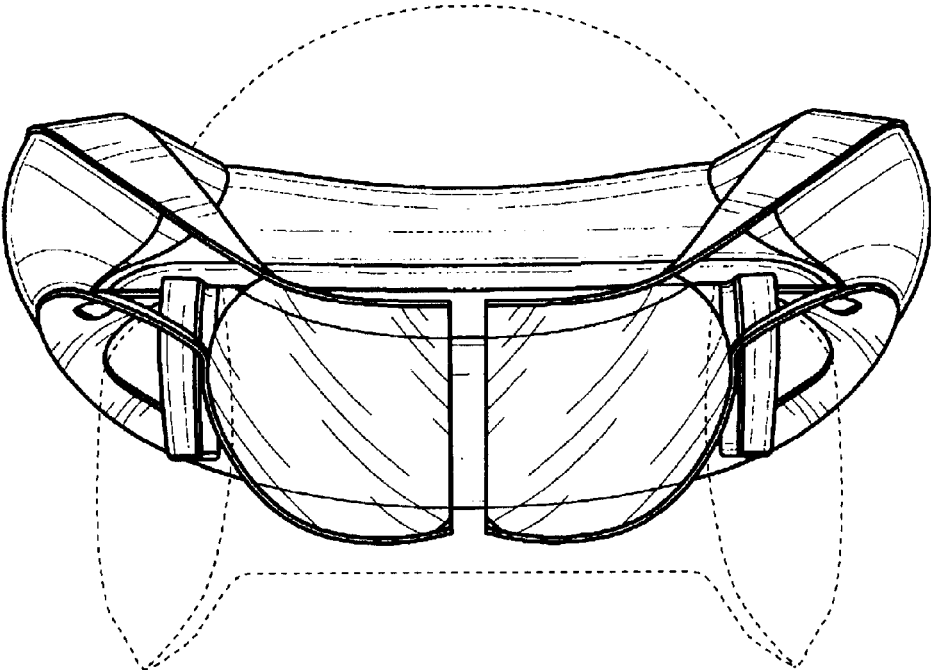


FIG. 3

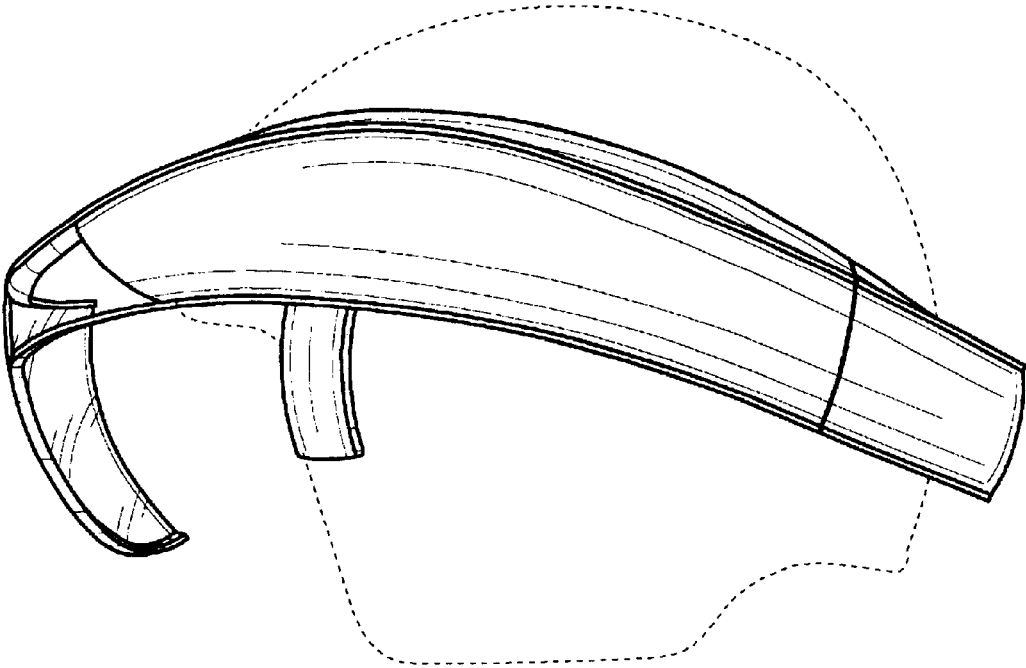


FIG. 4

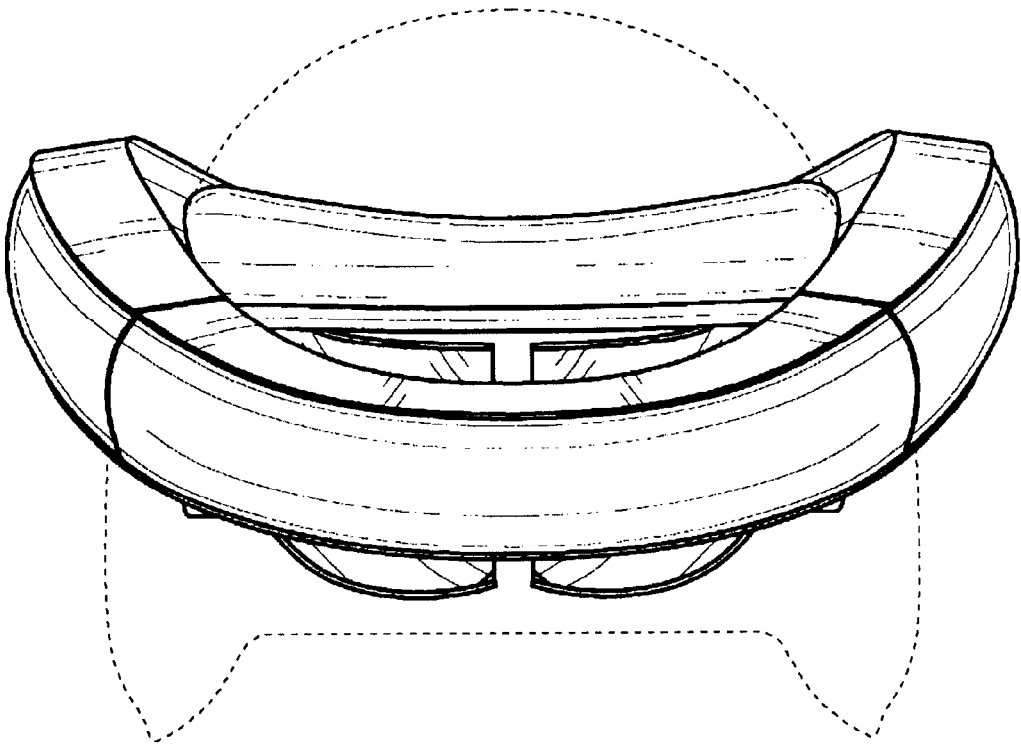


FIG. 5

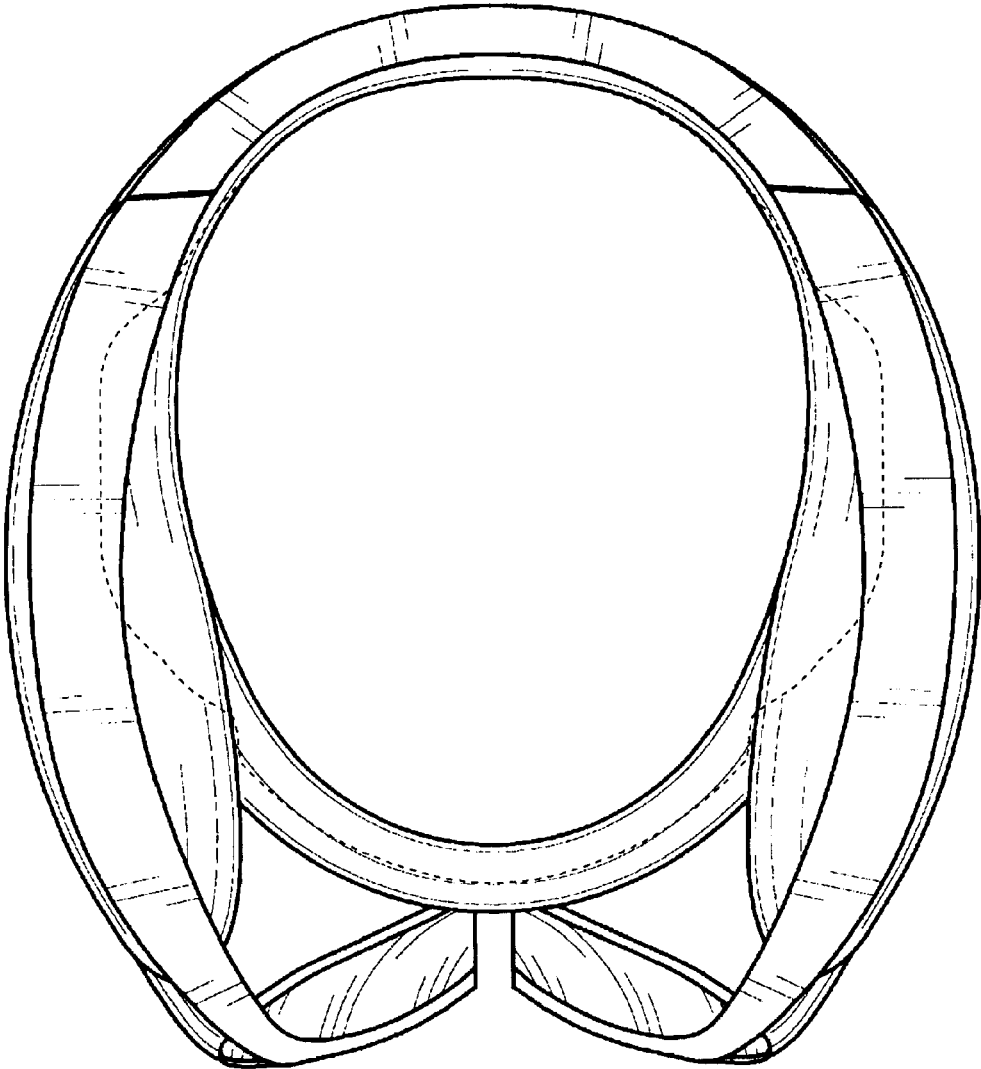


FIG. 6

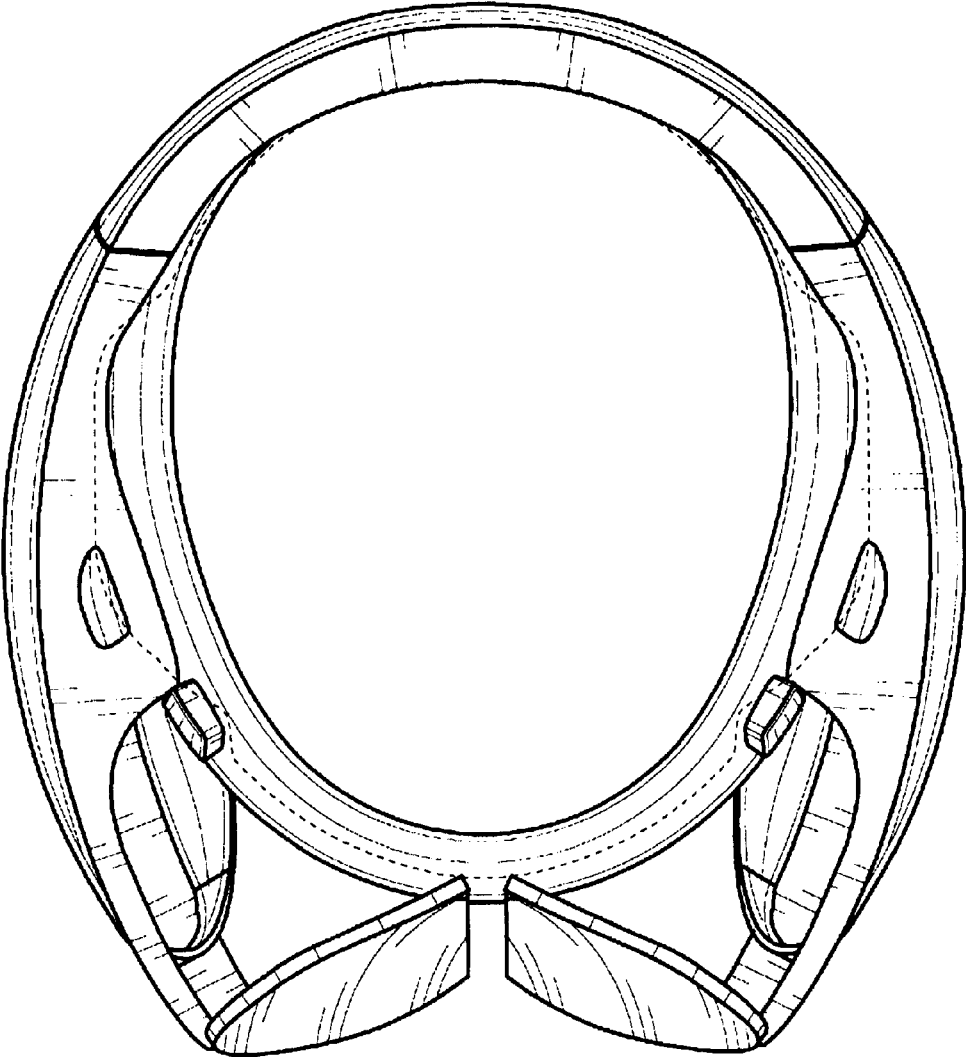


FIG. 7

FIG.8

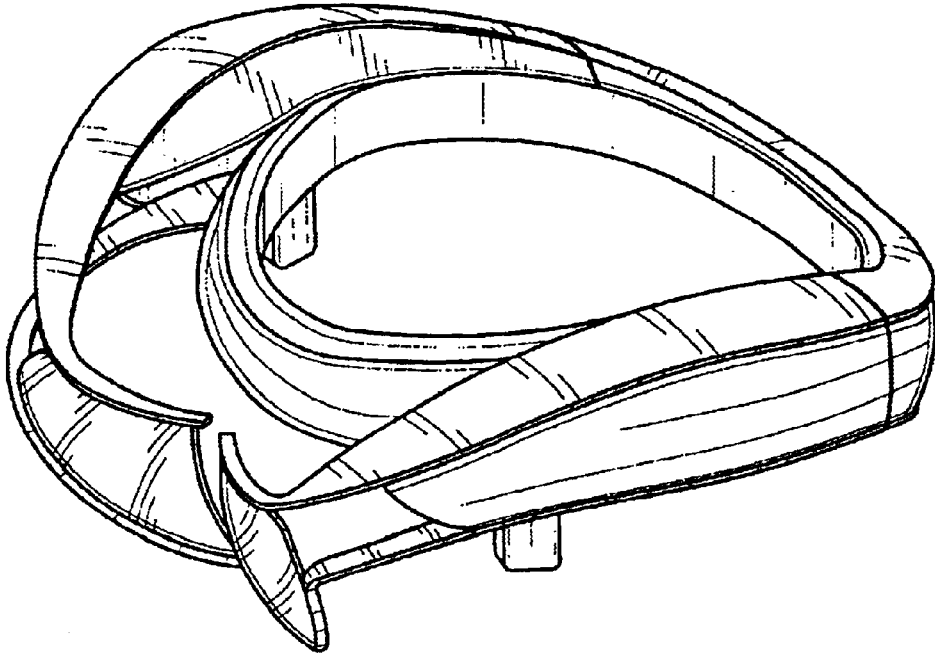


FIG.9

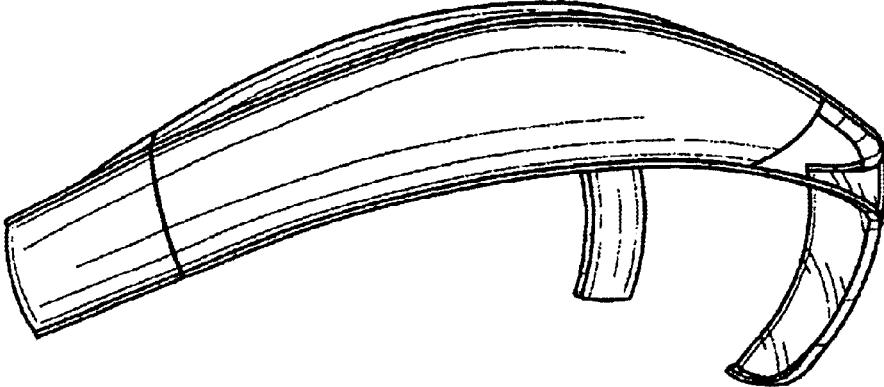


FIG.11

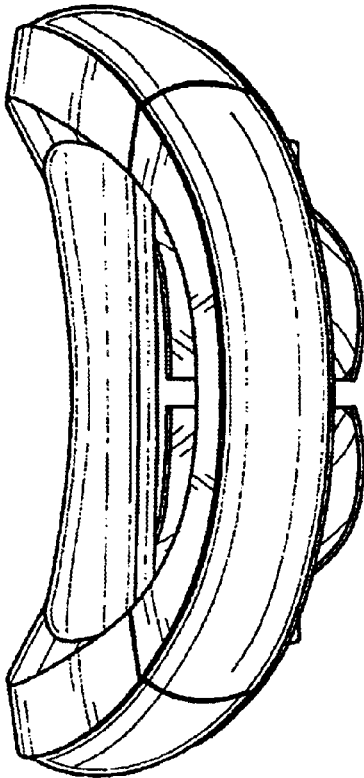


FIG.10

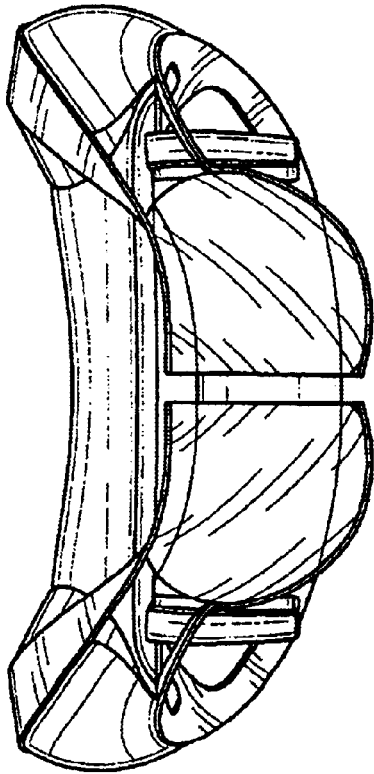


FIG.13

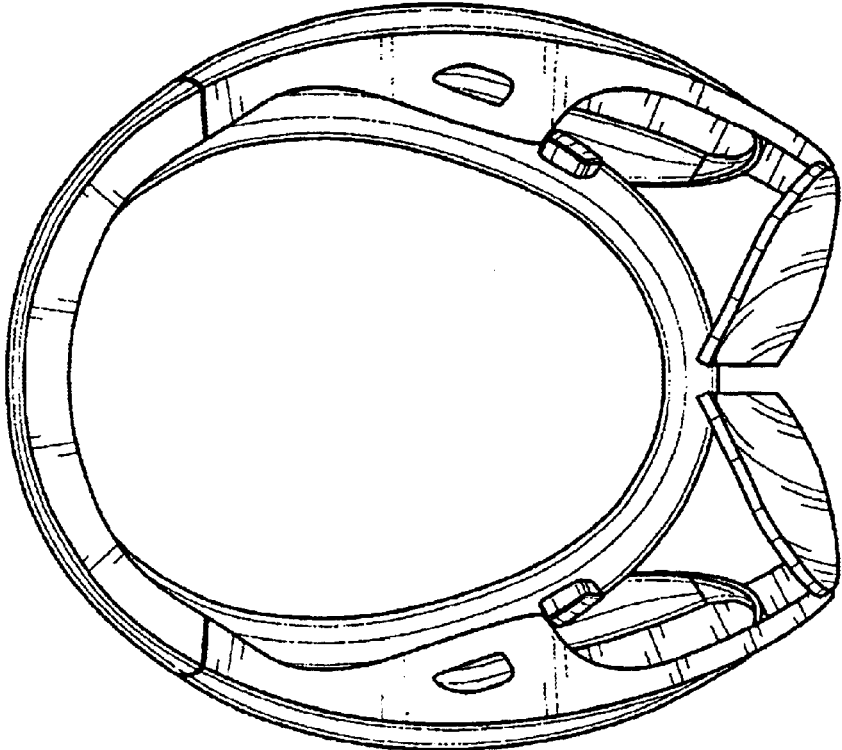


FIG.12

